

- 1
- 2
- 3
- 4
- 5
- 6
- 7
- 8
- 9
- 10
- 11
- 12
- 13
- 14
- 15
- 16
- 17
- 18**
-

MATERIAL

Cast CF-8 stainless steel lever, sandblasted matte finish.
 AISI 303 stainless steel clamping element with retaining screw.
 AISI 301 stainless steel return spring.

STANDARD EXECUTIONS

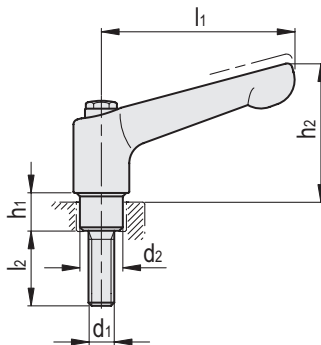
- **GN 911.3 (d1 - I2)**: threaded screw.
- **GN 911.3 (d3)**: threaded hole.

FEATURES AND APPLICATIONS

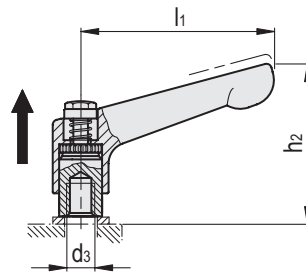
GN 911.3 clamping kit can be used as an alternative to the grub screws supplied with the different kinds of connecting clamps.
 The correspondent clamping kit is indicated in the tables of the different clamps.



GN 911.3 (d1 - I2)



GN 911.3 (d3)



Conversion Table
 1 mm = 0.039 inch

d1	
mm	inch
45	1.76
63	2.46
78	3.04
92	3.59

GN 911.3 (d1 - I2)

INOX STAINLESS STEEL **METRIC**

Code	Description	d1	d2	l1	l2	h1	h2	⚖
GN.68142	GN 911.3-45-M6-20-GS	M 6	10	45	20	9	34	48
GN.68144	GN 911.3-63-M6-20-GS	M 6	10	63	20	12	44	98

GN 911.3 (d3)

INOX STAINLESS STEEL **METRIC**

Code	Description	d3	l1	h2	⚖
GN.68147	GN 911.3-63-M8-GS	M 8	63	45	88
GN.68149	GN 911.3-78-M8-GS	M 8	78	54	145
GN.68148	GN 911.3-78-M10-GS	M 10	78	54	142
GN.68150	GN 911.3-92-M10-GS	M 10	92	64	226

Tube connectors